



32 31 00/AMS
BuyLine 8638

FIXED LOUVER FENCING



**Stainless
Steel
or
Aluminum
with
Polyester
Powder Coating**

Visit our Web Site www.ametco.com
for Master Spec • CAD Drawings • Photo Gallery



FIXED LOUVER FENCING

VENETIAN[®]

Venetian[®] Aluminum



Characteristics

The fixed louver Venetian Design allows 100% visual screening in any direction and still allows airflow for ventilation.

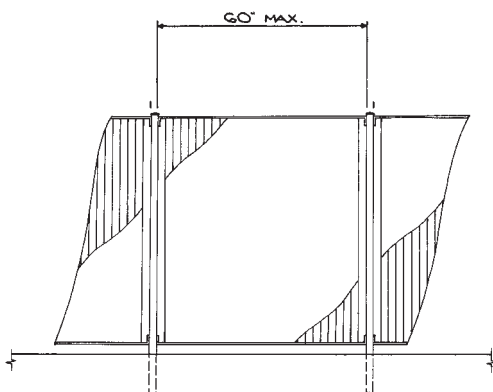
Applications:

Because Venetian Design allows 100% visual screening in any direction, screening of equipment, trash enclosures, parking garages, etc. can be achieved by running the louver either vertically or horizontally.

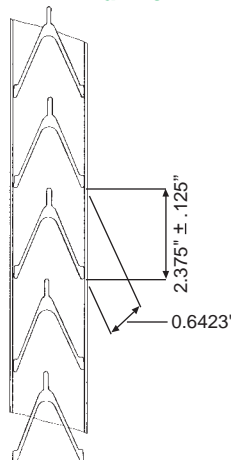
Specify:

Tig welded extruded aluminum Venetian Design has V-shaped extruded aluminum main bars on 2.625" centers with extruded aluminum framing bars. The extrusions are type 6063. The aluminum extrusions are polyester powder coated after fabrication. The Venetian Aluminum design weight is 3.5 lbs. per square foot.

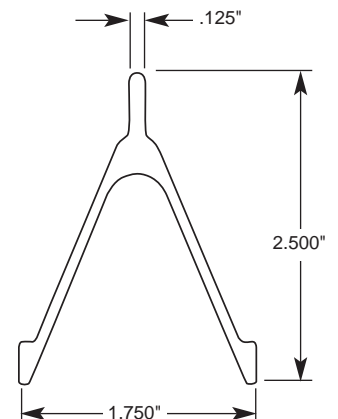
Panel Width



End View



Aluminum Extrusion



ECLIPSE®

Eclipse® Aluminum

Eclipse® Stainless

Characteristics

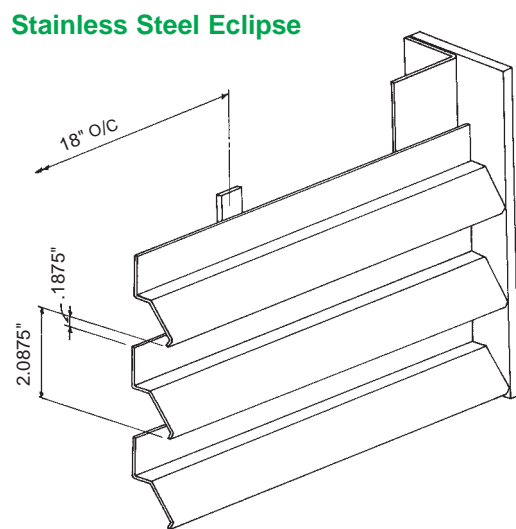
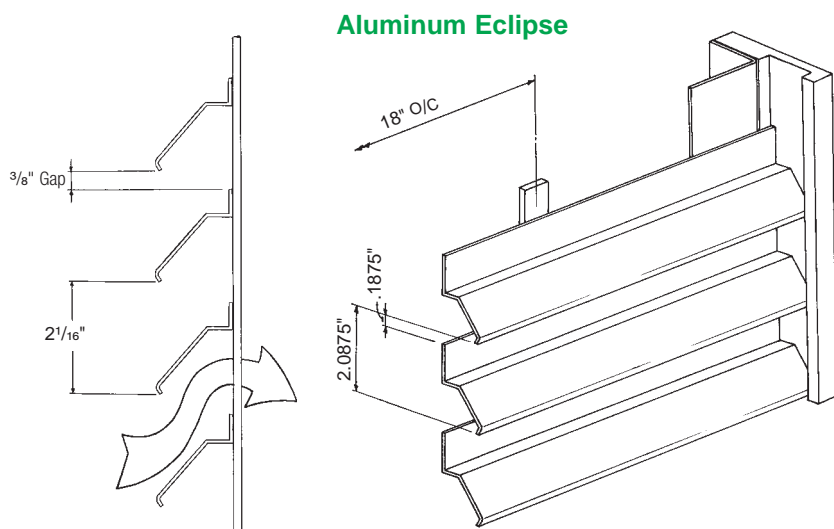
The fixed louver family of Eclipse Design allows 80% and 100% direct visual screening.

Specify:

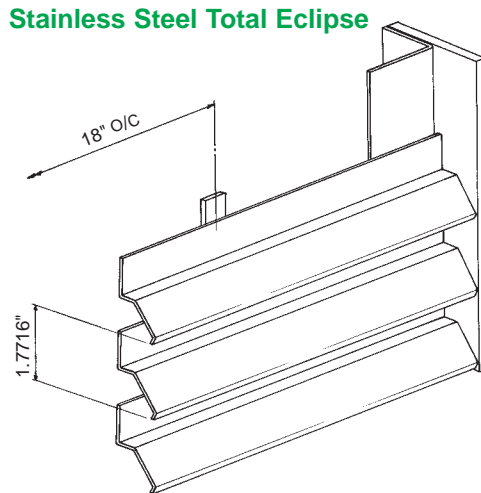
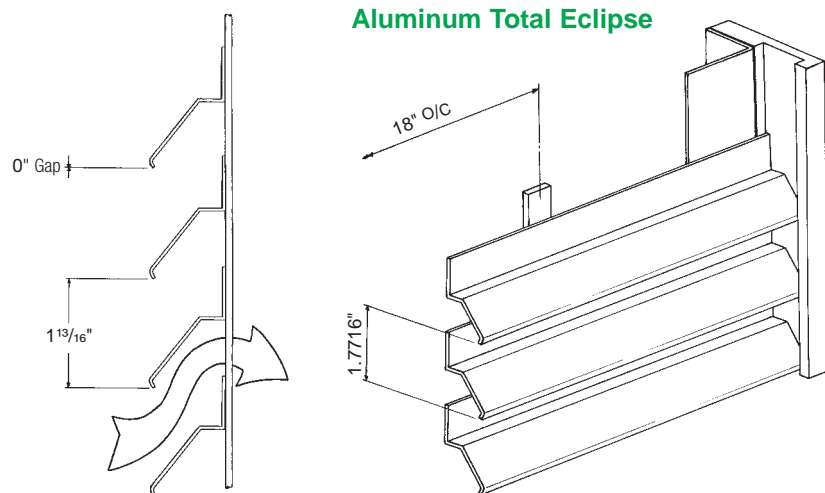
Extruded Aluminum or Stainless Steel Eclipse design has formed or extruded inclined main bars. Cross bars are on centers up to 18". Eclipse Aluminum is 6063 extrusions. Eclipse Stainless is type 304 stainless. Both are polyester powder coated. The Eclipse Aluminum design weight is 1.3 lbs. per square foot. The Eclipse Stainless Steel is 2.8 lbs. per square foot.



80% Direct Visual Screening



100% Direct Visual Screening





PHOENIX[®]

Phoenix[®] Aluminum

Characteristics

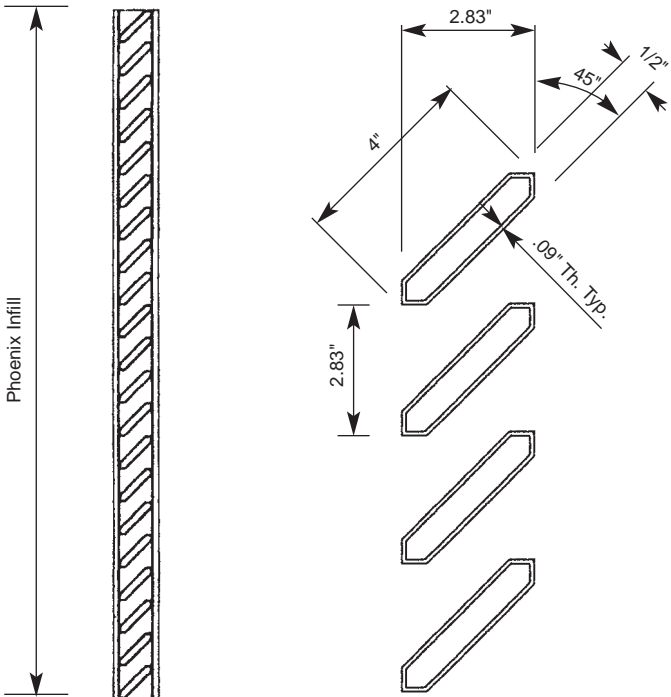
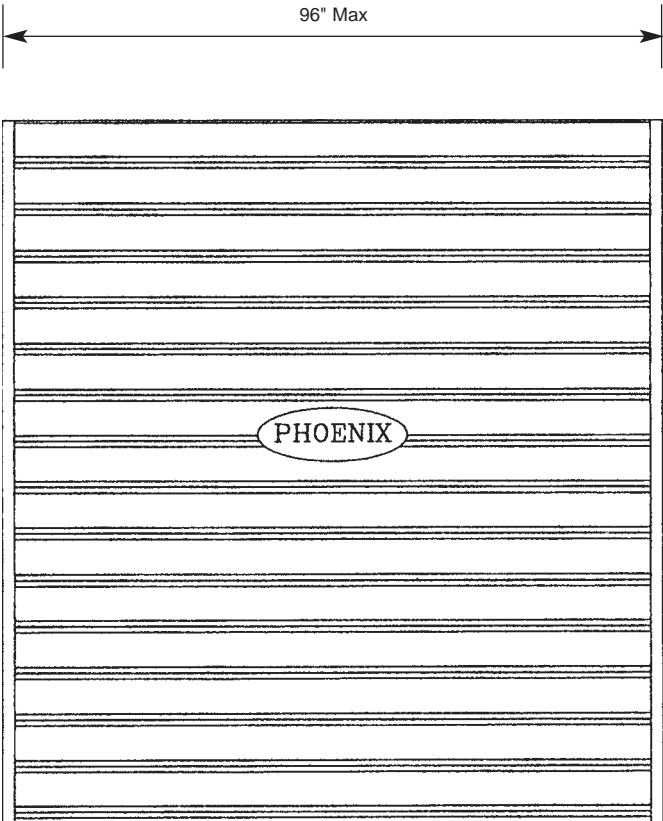
The Phoenix Design allows 80% or 100% direct visual screening.

Specify:

The Phoenix Design is the strongest of Ametco's fixed louver fencing and gates. Manufactured from 6063 extruded aluminum louvers, the Phoenix Design can have post centers of 8 foot and still maintain its outstanding strength.

The powder coated aluminum extrusions are maintenance free. The choice of color allows the Phoenix Design fencing and gates to fit perfectly into modern architectural and security applications. The Phoenix Aluminum design weight is 4 lbs. per square foot.

**AMETCO PHOENIX DESIGN
USED HORIZONTALLY AS PICTURED**



Patent No. US D535,760 S

**Visit our Web Site www.ametco.com
for Master Spec • CAD Drawings • Photo Gallery**



4326 Hamann Parkway
P.O. Box 1210
Willoughby, Ohio 44096
Web Site www.ametco.com

Phone (440) 951-4300
Fax (440) 951-2542
Toll Free 800-362-1360
E-Mail ametco@ametco.com