



10 82 00/AME
BuyLine 5942

ARCHITECTURAL GRILLES & SCREENS



Visit our Web Site www.ametco.com
for Master Spec • CAD Drawings • Photo Gallery



GRILLES & SCREENS



Ametco Mfg. Corp. has the industry's largest selection of architectural grilles and screens. From electro-forged welded steel grilles to extruded aluminum louvers; Ametco can work with you to achieve the requirements of your project. All of Ametco's grilles and screens are polyester powder coated to any of the 15 standard Ametco colors.



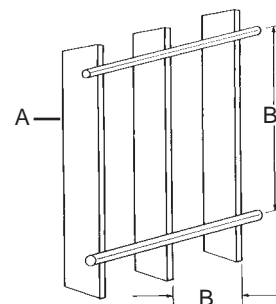
Visit our Web Site www.ametco.com for Master Spec • CAD Drawings • Photo Gallery

GRILLES



Ametco grilles are manufactured from electro-forge welded steel giving you the strength required for security. Ametco can custom fabricate any of the standard meshes to fit your needs. All grilles are hot dip galvanized after fabrication then powder coated. This combination not only gives you the best protection but also allows you to choose a color from Ametco's 15 standard colors to harmonize with the surrounding environment.

Design	Bar size (A)	Mesh (B)
Grotto®	1" × 5/64"	1 ²¹ / ₃₂ " × 5 ³ / ₁₆ "
Shield®	1" × 5/64"	1 ²¹ / ₃₂ " × 1 ³ / ₄ "
Metro®	1" × 1/8"	2 ⁷ / ₁₆ " × 5 ³ / ₁₆ "
Blockade®	1 ³ / ₁₆ " × 5/32"	2 ⁷ / ₁₆ " × 5 ³ / ₁₆ "
Lattice	1" × 1/8"	2 ⁷ / ₁₆ " × 2 ¹⁹ / ₃₂ "
Stadium®	1" × 1/8"	3 ¹⁵ / ₁₆ " × 3 ¹⁵ / ₁₆ "
Trellis®	1" × 1/8"	4 ⁷ / ₈ " × 5 ³ / ₁₆ "



Visit our Web Site www.ametco.com
for Master Spec • CAD Drawings • Photo Gallery



4326 Hamann Parkway
P.O. Box 1210
Willoughby, Ohio 44096
Web Site www.ametco.com

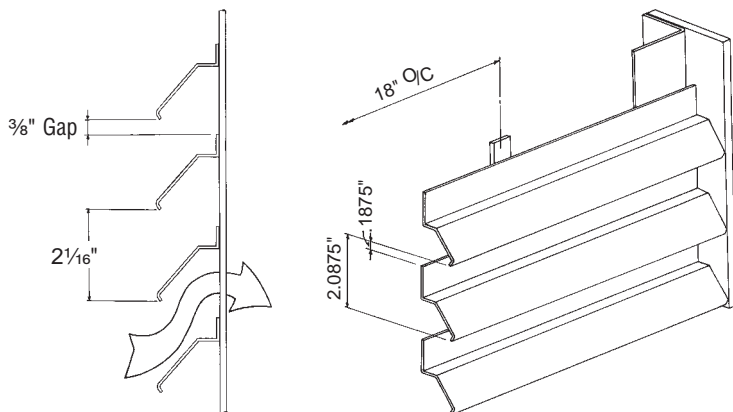
Phone (440) 951-4300
Fax (440) 951-2542
Toll Free 800-362-1360
E-Mail ametco@ametco.com



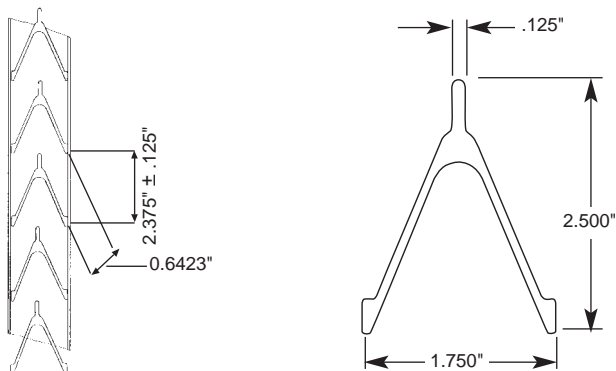
SCREENS

Ametco screening is achieved by using fixed louver material in one of three designs. All designs are manufactured from extruded aluminum. The **Eclipse Design** is ideal for horizontal applications with either 80% or 100% direct visual screening. The **Venetian Design** can be used either horizontal or vertical with 100% visual screening. The **Phoenix Design** can be used either horizontal or vertical and is the strongest of the three designs. The strength of the Phoenix Design allows post center out to 8 feet on center. All three designs are powder coated after fabrication to allow you the choice of color from Ametco's 15 standard colors.

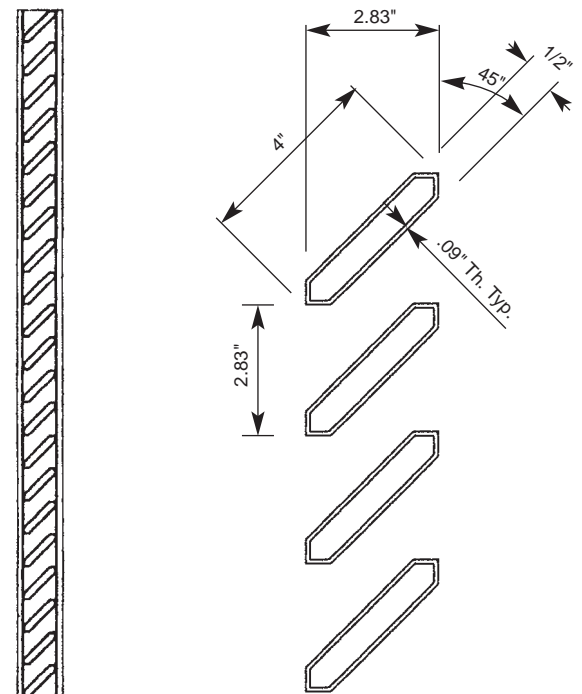
ECLIPSE®



VENETIAN®



PHOENIX®



Patent No. US D535,760 S

Visit our Web Site www.ametco.com
for Master Spec • CAD Drawings • Photo Gallery



4326 Hamann Parkway
P.O. Box 1210
Willoughby, Ohio 44096
Web Site www.ametco.com

Phone (440) 951-4300
Fax (440) 951-2542
Toll Free 800-362-1360
E-Mail ametco@ametco.com