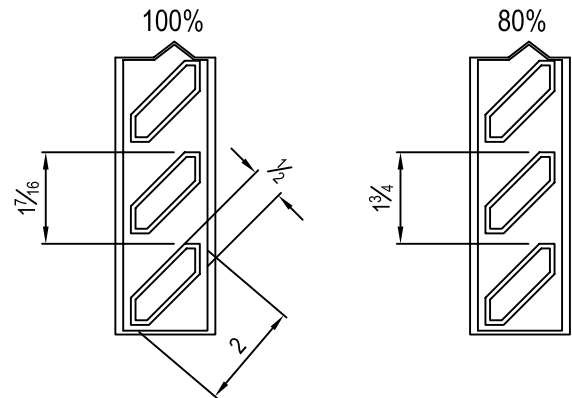
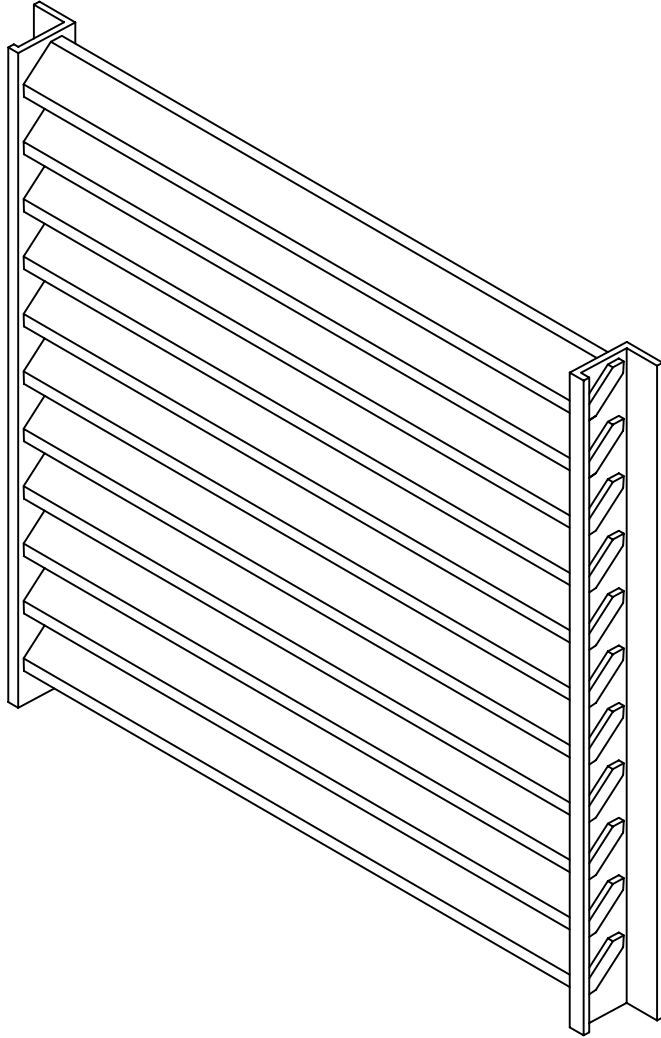


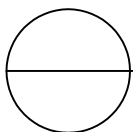


AMETCO MANUFACTURING CORPORATION  
4326 HAMANN PARKWAY P.O. BOX 1210  
WILLOUGHBY, OHIO 44096  
TOLL FREE: 1-800-321-7042  
PHONE: (440) 951-4300  
FAX: (440) 951-2542  
www.ametco.com



**NOTES:**

1. IT IS RECOMMEND THAT THE TITAN DESIGN BE USED HORIZONTALLY.
2. INSTALLATION TO BE COMPLETED IN ACCORDANCE WITH MANUFACTURER'S SPECIFICATIONS.
3. ALL DIMENSIONS ARE CONSIDERED TRUE AND REFLECT MANUFACTURER'S SPECIFICATIONS.
4. AMETCO'S ALUMINUM FENCING SYSTEM IS 100% MANUFACTURED IN THE UNITED STATES.
5. DO NOT SCALE DRAWINGS.
6. CONTRACTOR'S NOTE: FOR PRODUCT AND COMPANY INFORMATION VISIT [www.CADdetails.com/info](http://www.CADdetails.com/info)  
REFERENCE NUMBER 048-129



## ALUMINUM FENCE SYSTEMS

TITAN DESIGN FIXED LOUVER ALUMINUM FENCE SYSTEM