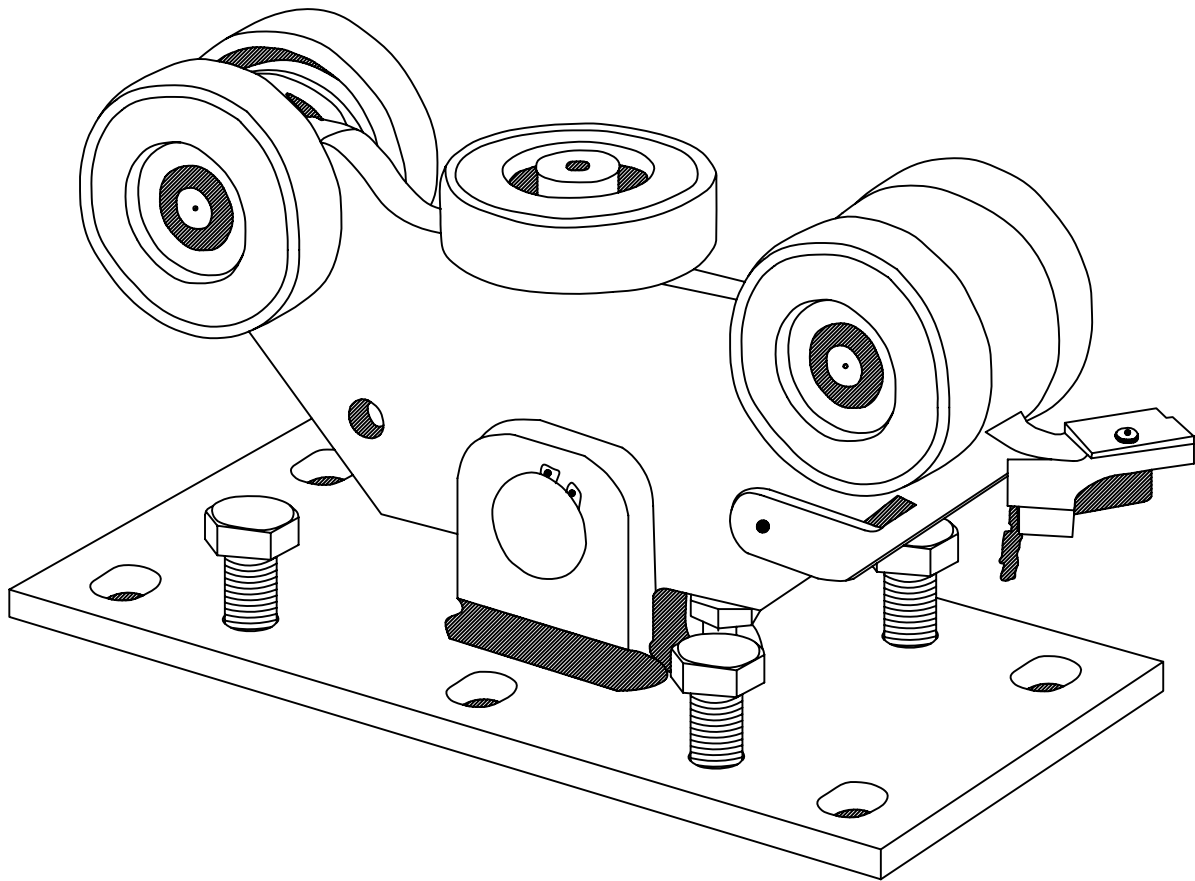




AMETCO MANUFACTURING CORPORATION
4326 HAMANN PARKWAY P.O. BOX 1210
WILLOUGHBY, OHIO 44096
800-321-7042 TOLL FREE
PHONE: (440) 951-4300
FAX: (440) 951-2542
www.ametco.com



NOTES:

1. INSTALLATION TO BE COMPLETED IN ACCORDANCE WITH MANUFACTURER'S SPECIFICATIONS.
2. DO NOT SCALE DRAWINGS.

**ALUMINUM MONORAIL CANTILEVER GATE-
5 WHEEL CARRIAGE WITH NYLON WHEELS**

