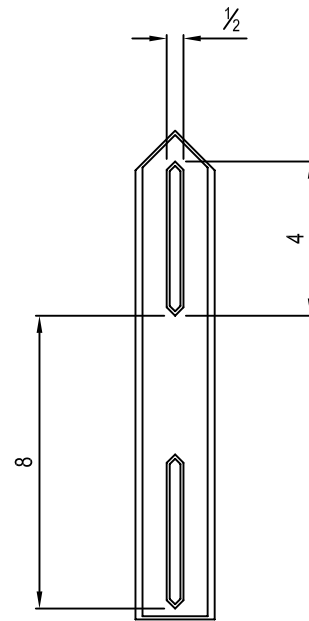
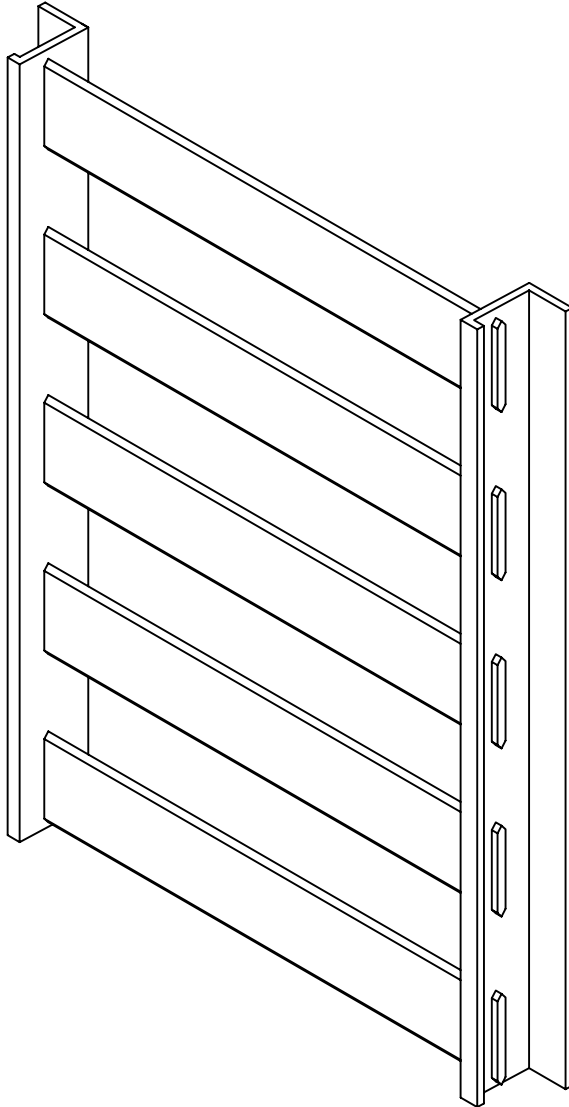


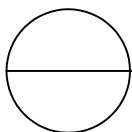


AMETCO MANUFACTURING CORPORATION
4326 HAMANN PARKWAY P.O. BOX 1210
WILLOUGHBY, OHIO 44096
TOLL FREE: 1-800-321-7042
PHONE: (440) 951-4300
FAX: (440) 951-2542
www.ametco.com



NOTES:

1. THE 4" ALUMINUM EXTRUSION CAN RUN EITHER HORIZONTALY OR VERTICALLY.
2. THE STANDARD SPACING OF THE 4" EXTRUSION IS 8" ON CENTER BUT CAN BE FROM 5" TO 8".
3. INSTALLATION TO BE COMPLETED IN ACCORDANCE WITH MANUFACTURER'S SPECIFICATIONS.
4. ALL DIMENSIONS ARE CONSIDERED TRUE AND REFLECT MANUFACTURER'S SPECIFICATIONS.
5. AMETCO'S ALUMINIUM FENCING SYSTEM IS 100% MANUFACTURED IN THE UNITED STATES.
6. DO NOT SCALE DRAWINGS.
7. CONTRACTOR'S NOTE: FOR PRODUCT AND COMPANY INFORMATION VISIT www.CADdetails.com/info
REFERENCE NUMBER 048-087



ALUMINUM FENCE SYSTEMS

BLADE DESIGN ALUMINUM FENCE SYSTEM