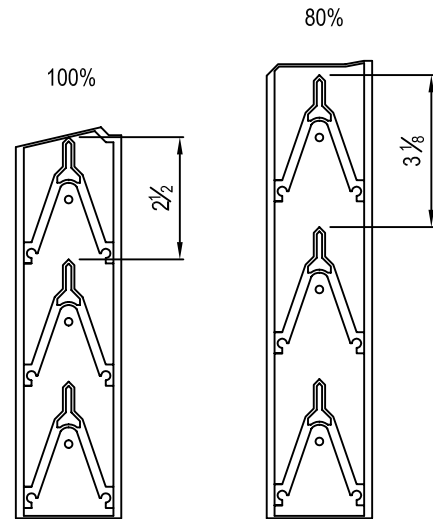
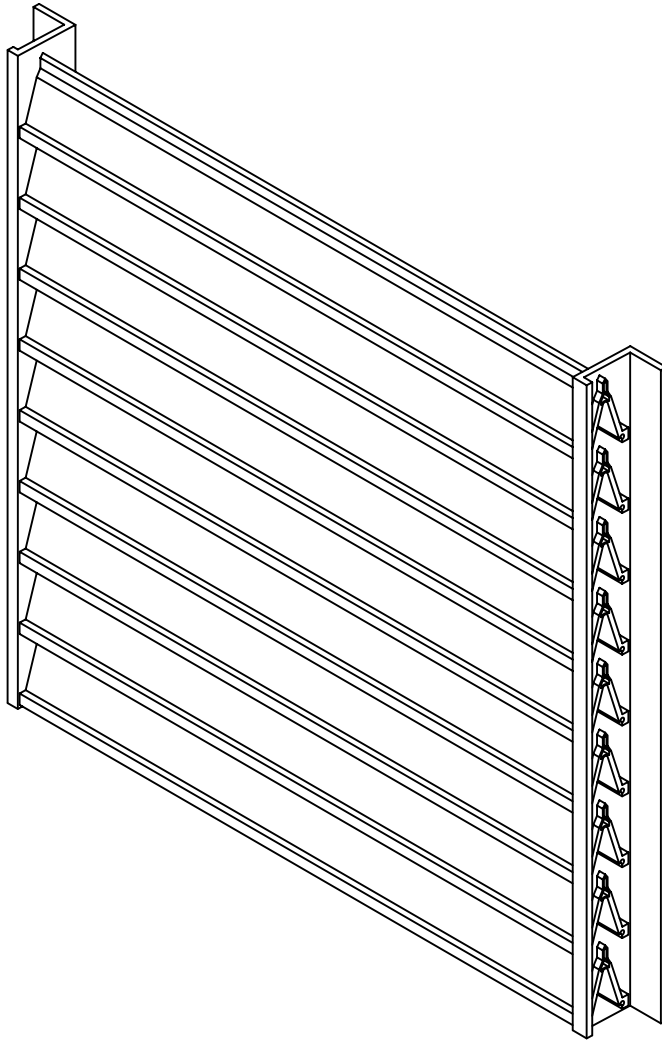


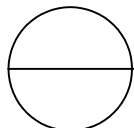


AMETCO MANUFACTURING CORPORATION
4326 HAMANN PARKWAY P.O. BOX 1210
WILLOUGHBY, OHIO 44096
TOLL FREE: 1-800-321-7042
PHONE: (440) 951-4300
FAX: (440) 951-2542
www.ametco.com



NOTES:

1. THE VENETIAN DESIGN CAN RUN EITHER HORIZONTAL OR VERTICALLY.
2. INSTALLATION TO BE COMPLETED IN ACCORDANCE WITH MANUFACTURER'S SPECIFICATIONS.
3. ALL DIMENSIONS ARE CONSIDERED TRUE AND REFLECT MANUFACTURER'S SPECIFICATIONS.
4. AMETCO'S ALUMINIUM FENCING SYSTEM IS 100% MANUFACTURED IN THE UNITED STATES.
5. DO NOT SCALE DRAWINGS.
6. CONTRACTOR'S NOTE: FOR PRODUCT AND COMPANY INFORMATION VISIT www.CADdetails.com/info
REFERENCE NUMBER 048-031



ALUMINUM FENCE SYSTEMS

VENETIAN ALUMINUM FENCE DESIGN SYSTEM