



08 91 00/AMH
BuyLine 5947

LOUVERS



FIXED OR ADJUSTABLE • STAINLESS STEEL OR ALUMINUM



LOUVERS

Built to Last

The Ametco louver system is designed to furnish you the most attractive, the most flexible and strongest system on the market today.

The strongest louver in the Ametco system is the **Phoenix** design. Fabricated from extruded aluminum main bars, the Phoenix design is available in both fixed and adjustable styles.

The **Venetian** design louver is a fixed louver that will give you up to 100% visual screening from any direction. The Venetian design is fabricated from extruded aluminum and can be used horizontally or vertically.

The **Saturn** design is our newest design that

allows visual screening and at the same time air flow. The Saturn design is manufactured from the same extruded aluminum bars as the Phoenix design but in a different configuration.

The **Eclipse** design is also manufactured from extruded aluminum and the **Shadow** design is fabricated from electro-forge welded steel and hot dip galvanized. Both the Eclipse and the Shadow designs provide up to 100% direct visual screening.

All 5 Ametco louver designs are polyester powder coated to any of Ametco's 15 standard colors and have a 10 year warranty. If you have a louver requirement for widths from 12 inches to 500 feet, call Ametco Mfg. Corp. and have one of our sales engineers work with you to meet your requirements.

SHADOW TALIA



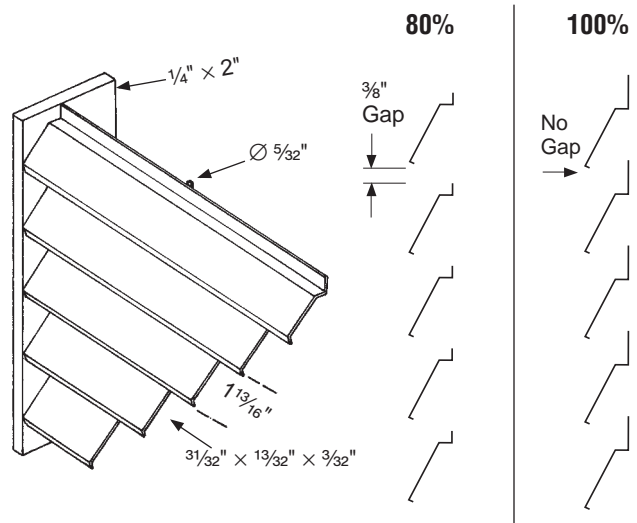
Characteristics

Model with inclined sections, exclusive polished design, without cuts or joints and therefore monolithic.

Specify:

Electro-forge welded steel louver. Ametco Shadow design horizontal or vertical— $1\frac{3}{32}$ " \times $\frac{1}{16}$ " formed main bar, $\frac{5}{32}$ " round cross bar, $1\frac{13}{16}$ " \times $5\frac{7}{32}$ " mesh. Galvanized to ASTM 123 and/or polyester powder coated.

DIRECT VISUAL SCREENING



SHADOW DESIGN

Design	Open Area	Visual Screening	Maximum Length
Shadow 100	40.8%	100%	60"
Shadow 80	44.3%	80%	60"

All of Ametco's louvers can be furnished with either bird or insect screening.

ECLIPSE *Aluminum or Stainless*

08 91 00/AMH
BuyLine 5947

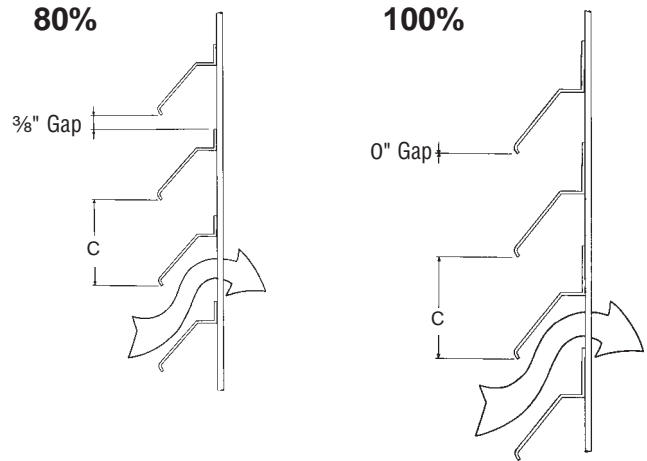


Characteristics

The fixed louver family of Eclipse Design allows 80% or 100% direct visual screening.

Specify:

Extruded Aluminum or Stainless Steel Eclipse design has formed or extruded inclined main bars on 2¹/₁₆" centers. Cross bars are on centers up to 18". Eclipse Aluminum is 6063 extrusions. Eclipse Stainless is type 304 stainless. Both are polyester powder coated.



ECLIPSE DESIGN

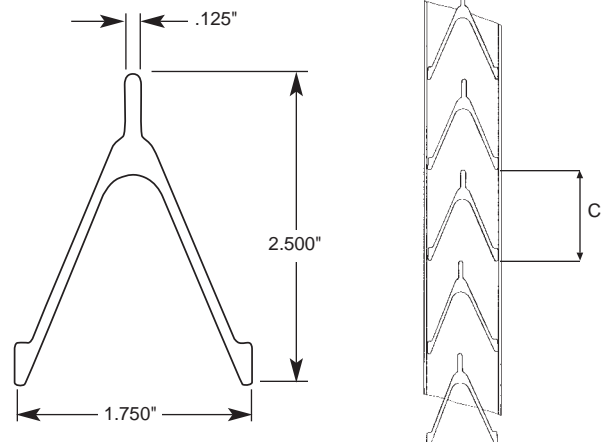
"C"	Open Area	Visual Screening	Maximum Length
1 ¹ / ₁₆ "	30.4%	100%	60"
2 ¹ / ₄ "	30.8%	80%	60"

VENETIAN *Aluminum*



Aluminum Extrusion

End View



VENETIAN DESIGN

"C"	Open Area	Visual Screening	Maximum Length
2 ¹ / ₂ "	27.3%	100%	72"
2 ³ / ₄ "	30.5%	90%	72"
3 ¹ / ₈ "	33.0%	80%	72"

Characteristics

The fixed louver Venetian Design allows up to 100% visual screening in any direction and still allows airflow for ventilation.

Specify:

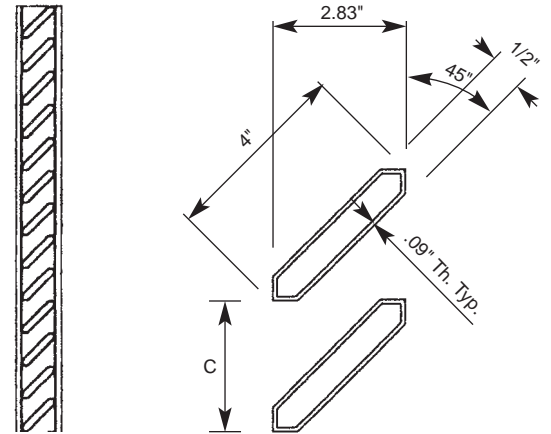
Tig welded extruded aluminum Venetian Design has V-shaped extruded aluminum main bars with extruded aluminum framing bars. The extrusions are type 6063. The aluminum extrusions are polyester powder coated after fabrication.



4326 Hamann Parkway
P.O. Box 1210
Willoughby, Ohio 44096
Web Site www.ametco.com

Phone (440) 951-4300
Fax (440) 951-2542
Toll Free 800-362-1360
E-Mail ametco@ametco.com

PHOENIX *Aluminum*



Characteristics

The Phoenix Design allows 50% to 100% direct visual screening.

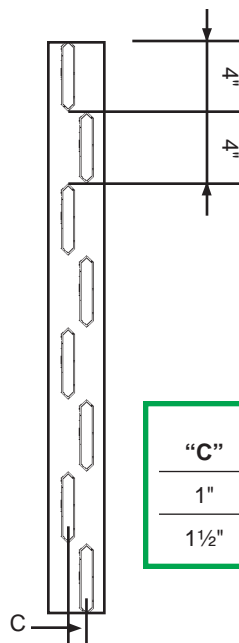
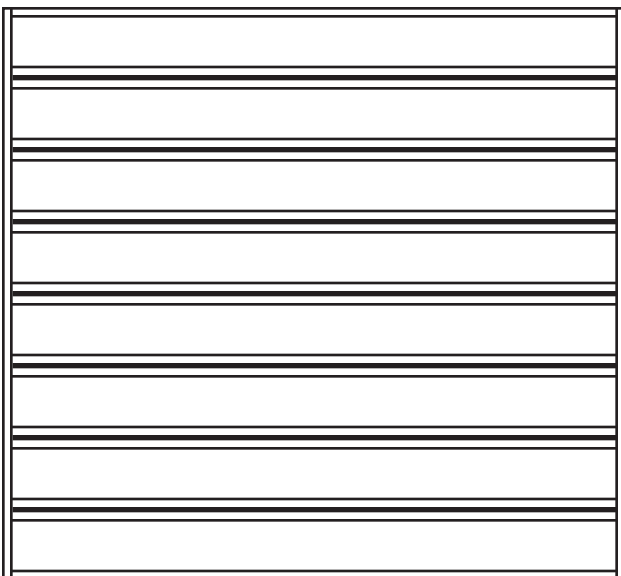
Specify:

The Phoenix Design is the strongest of Ametco's Louvers. Manufactured from 6063 extruded aluminum, the fixed Phoenix Design can span 12 feet and the adjustable Phoenix Design can span 4 feet.

PHOENIX DESIGN

"C"	Open Area	Visual Screening	Maximum Length
2 ³ / ₁₆ "	48.8%	100%	144"
3 ¹ / ₄ "	50.8%	90%	144"
3 ⁷ / ₁₆ "	51.9%	80%	144"
5 ⁵ / ₈ "	56.7%	50%	144"

SATURN *Aluminum*



Characteristics

Saturn Design is not the typical louver design. It is a series of aluminum extrusions that offers a flat surface with every other bar offset to allow for air movement.

Specify:

The Saturn Design is manufactured from 6063 extruded aluminum bars. This design can run either vertically or horizontally.

ECLIPSE DESIGN

"C"	Open Area	Visual Screening	Maximum Length
1"	15.6%	100%	72"
1 ¹ / ₂ "	23.7%	100%	72"



4326 Hamann Parkway
P.O. Box 1210
Willoughby, Ohio 44096
Web Site www.ametco.com

Phone (440) 951-4300
Fax (440) 951-2542
Toll Free 800-362-1360
E-Mail ametco@ametco.com